

## Access Control

# WebPass IP Reader & WebPass LITE



## *Access control solution over Serial & TCP/IP*

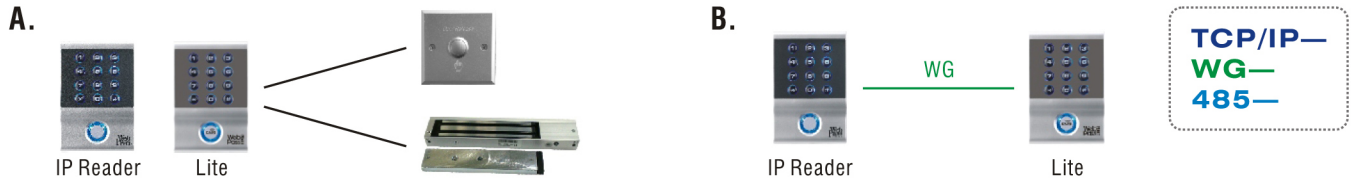
- IP65 Rating Weather Proof suitable for outdoor
- Multiple card types support (EM/Mifare standard, OEM/ODM welcome)
- Cost-Effective solution from single-door to multi-door architecture
- Flexible TCP/IP or RS485 solution provide easy the wiring plan

### Specifications

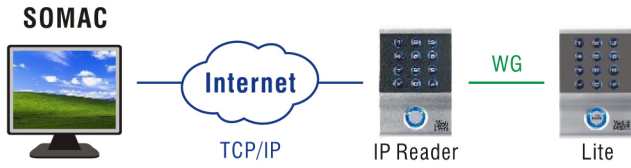
- Built-In dry contact and I/O for input & output devices
- Operation Temperature : 0 ~ 70 °C
- Operation Humidity : 30% ~ 90%
- Power requirement : 9 ~ 24VDC/1A
- Dimension : 120 X 80 X 25 (mm) / 150g
- WebPass-Lite (RS485 & WIEGAND)
  - Cardholder capacity: 1,500 users
  - Log entry capacity : 1,500 entries
  - Standalone (RS485) or Reader mode (WIEGAND) support
- WebPass IP Reader (TCP/IP&WIEGAND)
  - Cardholder capacity: 20,000 users
  - Log entry capacity : 60,000 entries
  - WEB Based and Software (SoMAC) management
  - APB/Anti-Duress supported
  - 255 Time Set/120 Time Zone
  - 255 Groups/ 100 Holiday configurable
  - Alarm Alert to Email

# Application

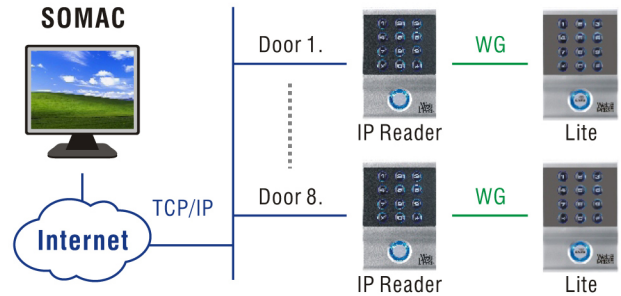
## 1. Standalone solution :



## 2. Single-door TCP/IP solution :



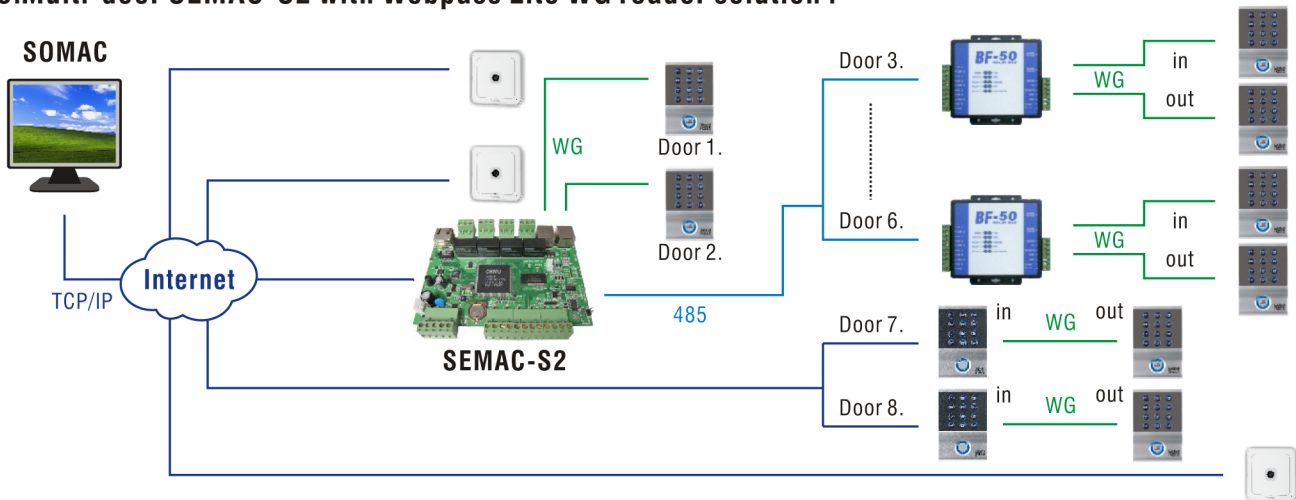
## 3. Multi-door TCP/IP solution :



## 4. Single-door SEMAC-S1 with Webpass Lite WG reader solution :



## 5. Multi-door SEMAC-S2 with Webpass Lite WG reader solution :



## How to Order

Model	Type	Access control
WEBPASS	IP Reader: RJ45 (TCP/IP)	Standalone/Single door/ Multi-door
	Lite: Rs485 (Serial) or WG Reader	
	E: EM M: Mifare Others	<ul style="list-style-type: none"> <li>Standalone only (RS485 type)</li> <li>Can be a WG reader for WEBPASS IP Reader/SEMAC system architectures</li> </ul>

**SMA SOLUTIONS**



01/380734 - 01/388116

70/200124

info@smasolution.com

www.smasolution.com